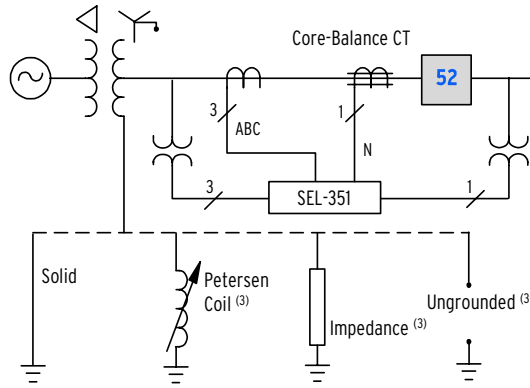


SEL-351-5, -6, -7

Best Choice Ground Directional Element™ System
 Overcurrent Protection
 Standard with 8 Outputs, 6 Inputs
 Conventional Terminal Blocks
 Standard with ACSELERATOR®
 QuickSet SEL-5030 Software⁽¹⁾

Ordering Information



2350 NE Hopkins Court • Pullman, WA 99163-5603 USA
 Phone: (509) 332-1890 • Fax: (509) 332-7990
 Internet: www.selinc.com • E-mail: info@selinc.com

Note: This is a two-page document.

Part Number Example: 035150H2511XXX

Choose from the following options.
 Enter option codes to complete the part number.

0 3 5 1

Page 1			Page 2			
			5			

Enter option codes from page 2 in the shaded spaces above.

Firmware

Standard	5								
Standard plus MIRRORRED BITS™ and Load Profile	6								
Standard plus MIRRORRED BITS, Load Profile, Power Elements, Voltage Sag/Swell/Interruption	* 7								

I/O Board; Chassis; Mounting⁽²⁾

No Additional I/O, 2U	Horizontal Rack Mount		0	H					X	
	Horizontal Panel Mount		0	3					X	
	Horizontal Projection Panel Mount	*	0	5					X	
No Additional I/O, 3U	Horizontal Rack Mount	*	1	H					X	
	Horizontal Panel Mount	*	1	3					X	
	Horizontal Projection Panel Mount	*	1	5					X	
	Vertical Rack Mount	*	1	V					X	
	Vertical Panel Mount	*	1	4					X	
Additional 12 Std Outputs, 8 Inputs, 3U	Horizontal Rack Mount	*	1	H						2
	Horizontal Panel Mount	*	1	3						2
	Horizontal Projection Panel Mount	*	1	5						2
	Vertical Rack Mount	*	1	V						2
	Vertical Panel Mount	*	1	4						2
Additional 12 High I/C Outputs, 8 Inputs, 3U	Horizontal Rack Mount	*	1	H						6
	Horizontal Panel Mount	*	1	3						6
	Horizontal Projection Panel Mount	*	1	5						6
	Vertical Rack Mount	*	1	V						6
	Vertical Panel Mount	*	1	4						6

Power Supply

24/48 Vdc				2					
48/125 Vdc or 125 Vac				3					
125/250 Vdc or Vac				4					

* Additional Cost

⁽¹⁾ Download ACSELERATOR QuickSet SEL-5030 software for free at www.selinc.com/software.htm for SEL-351-5, -6, -7 relays with R306 and later firmware. ACSELERATOR QuickSet on CD (503001WX4) is available upon request.

⁽²⁾ 2 or more option codes per line are grouped and must be entered together.

⁽³⁾ Directional protection for ungrounded, high-impedance grounded, Petersen Coil grounded, and low-impedance (directional SEF) grounded systems; nondirectional SEF protection also provided.

Note: The SEL-351-5, -6, -7 comes standard with a CD manual. A printed instruction manual is available upon request.

